

C-Mount Mega-Pixel Lens

Xenon 0.95/25-0037

This 2 / 3" megapixel lens has an extremely high relative aperture of 0.95, making it perfectly suitable for low light applications. The lens is corrected and coated for the visible light in the range of 400 - 700 nm. Even under production and / or extreme conditions, the robust mechanical design with lockable focus and iris setting mechanism guarantees reliable continuous use in which the set optical parameters remain in place.



Xenon 0.95/25

Key Features

- Very high relative aperture of 0.95
- Complex optical design
- High optical imaging performance
- Compact full metal mount
- Vibration insensitivity for stable imaging performance
- Focus and iris setting lockable

Applications

- Machine Vision and other imaging applications
- 3D measurement
- Traffic
- Medical
- Robot vision
- Food processing

Technical Specifications

F-number	0.95
Focal length	25.6 mm
Image circle	16 mm
Transmission	400 - 700 nm
Interface	C-Mount
Weight	240 gr.
Filter tread	M39 x 0.5
Code no.	12101

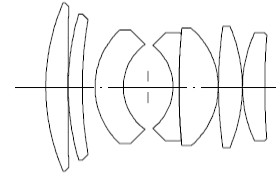
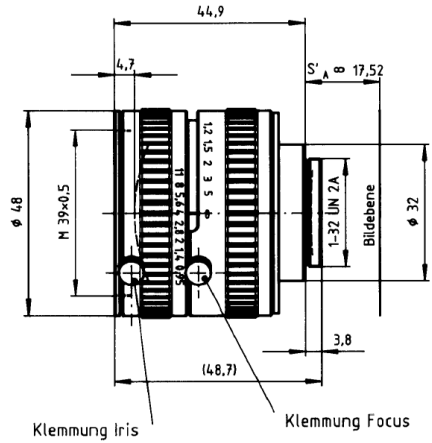
Contact

Jos. Schneider Optische Werke GmbH
 Ringstraße 132
 55543 Bad Kreuznach
 Germany
 Phone +49 671 601-387
 Fax +49 671 601-286
www.schneiderkreuznach.com/industrialoptics

Schneider Asia Pacific Ltd.
 20/F Central Tower, 28 Queen's Road
 Central, Hong Kong
 China
 Phone +852 8302 0301
 Fax +852 8302 4722
www.schneider-asiapacific.com

Schneider Optics Inc.
 285 Oser Ave.
 Hauppauge, NY 11788
 USA
 Phone +1 631 761-5000
 Fax +1 631 761-5090
www.schneideroptics.com/industrial

Xenon 0.95/25



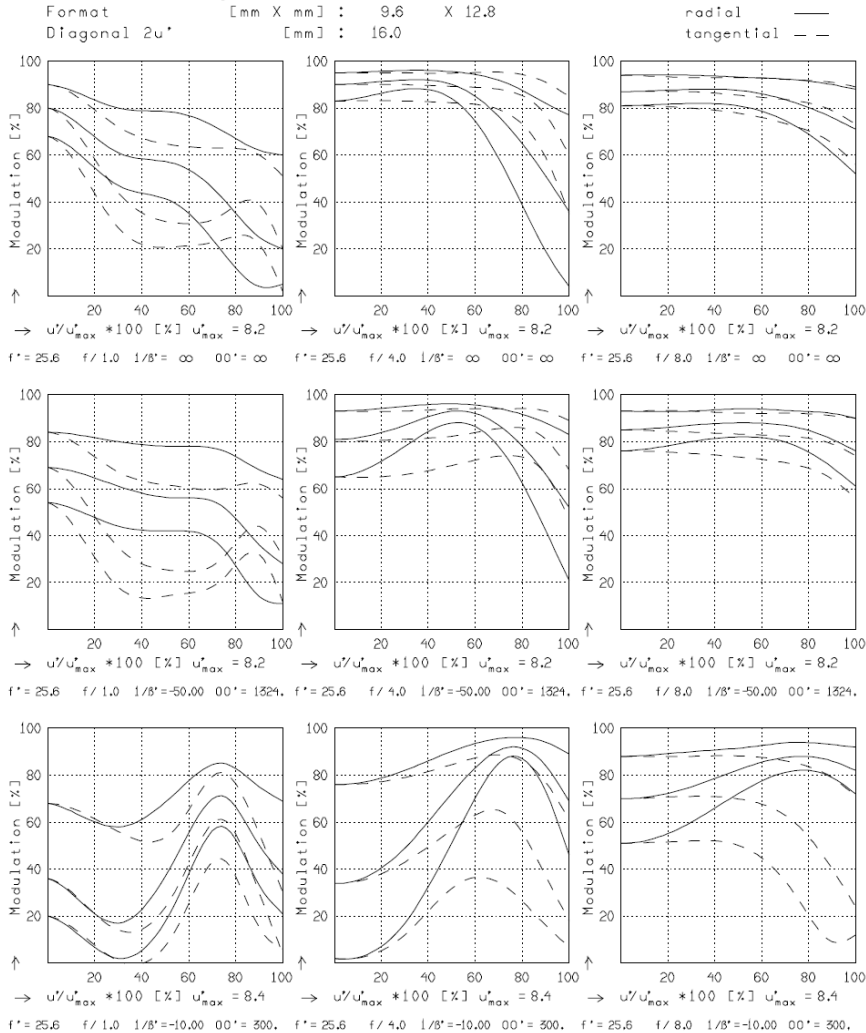
XENON 0.95/25MM

f'	= 25.6 mm	β_p'	= 4.086
s_F	= 16.9 mm	s_{EP}	= 23.1 mm
s_F^*	= 16.2 mm	s_{AP}^*	= -88.5 mm
HH'	= -10.5 mm	Σd	= 41.4 mm

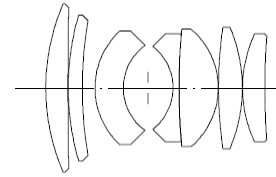
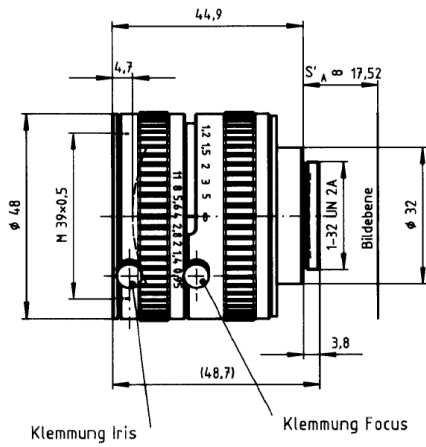
XENON 0.95/25MM

MODULATION with reference to the relative image height

Wavelength λ	[nm]	555	655	605	505	455	405
Spectral weighting	[%]	19.6	23.7	22.2	15.7	12.1	6.7
Spatial frequency R	[1/mm]	10	20	30			
Format	[mm X mm]	9.6	X	12.8			
Diagonal $2u'$	[mm]	16.0					

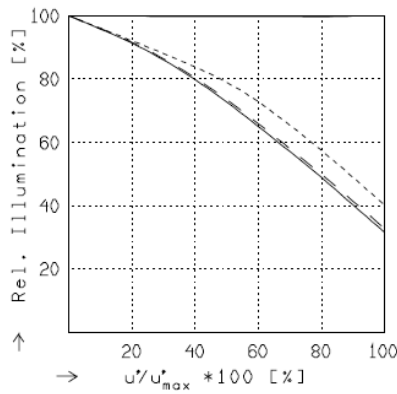


Xenon 0.95/25



XENON 0.95/25MM

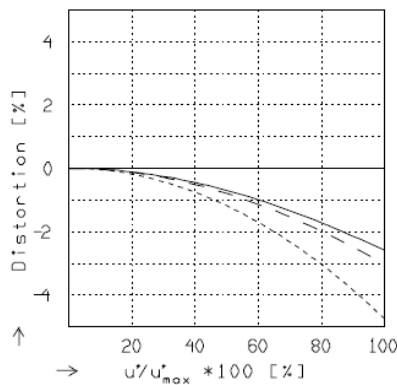
$f' = 25.6 \text{ mm}$	$\beta_p = 4.086$
$s_F = 16.9 \text{ mm}$	$s_{EP} = 23.1 \text{ mm}$
$s_{F'} = 16.2 \text{ mm}$	$s_{A'P} = -88.5 \text{ mm}$
$HH' = -10.5 \text{ mm}$	$\Sigma d = 41.4 \text{ mm}$



RELATIVE ILLUMINATION

The relative illumination is shown for the given focal distances or magnifications.

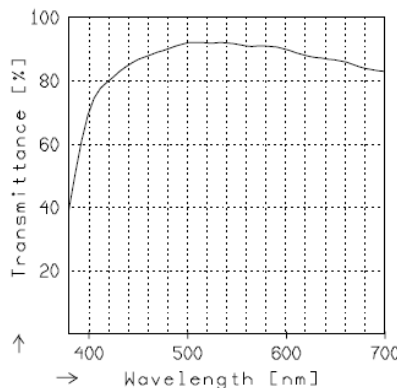
	$f / 1.0$	$f / 4.0$	$f / 8.0$
—	$\beta' = 0.0000$	$u'_{max} = 8.0$	$00' = \infty$
- -	$\beta' = -0.0200$	$u'_{max} = 8.0$	$00' = 1323.$
- · - ·	$\beta' = -0.1000$	$u'_{max} = 8.0$	$00' = 300.$



DISTORTION

Distortion is shown for the given focal distances or magnifications. Positive values indicate pincushion distortion and negative values barrel distortion.

—	$\beta' = 0.0000$	$u'_{max} = 8.0$	$00' = \infty$
- -	$\beta' = -0.0200$	$u'_{max} = 8.0$	$00' = 1323.$
- · - ·	$\beta' = -0.1000$	$u'_{max} = 8.0$	$00' = 300.$



TRANSMITTANCE

Relative spectral transmittance is shown with reference to wavelength.