

# 3 Mega-Pixel Lens

## Xenoplan 1.4/23-0902

In accordance with the sensitivity of modern 2 / 3" CCD and CMOS sensors, the 3 megapixel lenses are corrected and broadband-coated for the spectral range of 400 – 1000 nm ( VIS + NIR ). Even under production and / or extreme conditions, the robust mechanical design with lockable focus and iris setting mechanism guarantees reliable continuous use in which the set optical parameters remain in place.



Xenoplan 1.4/23

### Key Features

- High-resolution optics
- Highest optical imaging performance even with smallest pixel sizes
- Broadband coating (400 - 1000 nm)
- Compact and low weight
- Vibration insensitivity for stable imaging performance
- Focus and iris setting lockable

### Applications

- Machine Vision and other imaging applications
- 3D measurement
- Traffic
- Medical
- Robot vision
- Food processing

### Technical Specifications

F-number	1.4
Focal length	22.5 mm
Image circle	11 mm
Transmission	400 - 1000 nm
Interface	C-Mount
Weight	94 gr.
Filter tread	M30.5 x 0.5
Code no.	1001917

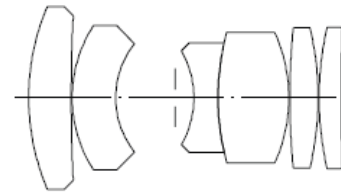
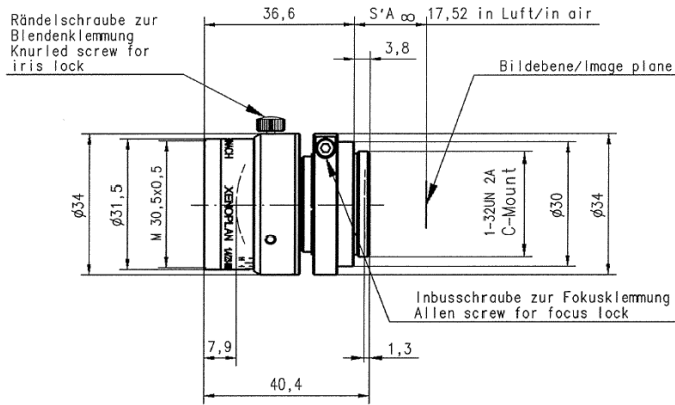
### Contact

Jos. Schneider Optische Werke GmbH  
 Ringstraße 132  
 55543 Bad Kreuznach  
 Germany  
 Phone +49 671 601-387  
 Fax +49 671 601-286  
[www.schneiderkreuznach.com/industrialoptics](http://www.schneiderkreuznach.com/industrialoptics)  
[industrie@schneiderkreuznach.com](mailto:industrie@schneiderkreuznach.com)

Schneider Asia Pacific Ltd.  
 20/F Central Tower, 28 Queen's Road  
 Central, Hong Kong  
 China  
 Phone +852 8302 0301  
 Fax +852 8302 4722  
[www.schneider-asiapacific.com](http://www.schneider-asiapacific.com)  
[info@schneider-asiapacific.com](mailto:info@schneider-asiapacific.com)

Schneider Optics Inc.  
 285 Oser Ave.  
 Hauppauge, NY 11788  
 USA  
 Phone +1 631 761-5000  
 Fax +1 631 761-5090  
[www.schneideroptics.com/industrial](http://www.schneideroptics.com/industrial)  
[industrial@schneideroptics.com](mailto:industrial@schneideroptics.com)

# Xenoplan 1.4/23



## XENOPLAN 1.4/23MM

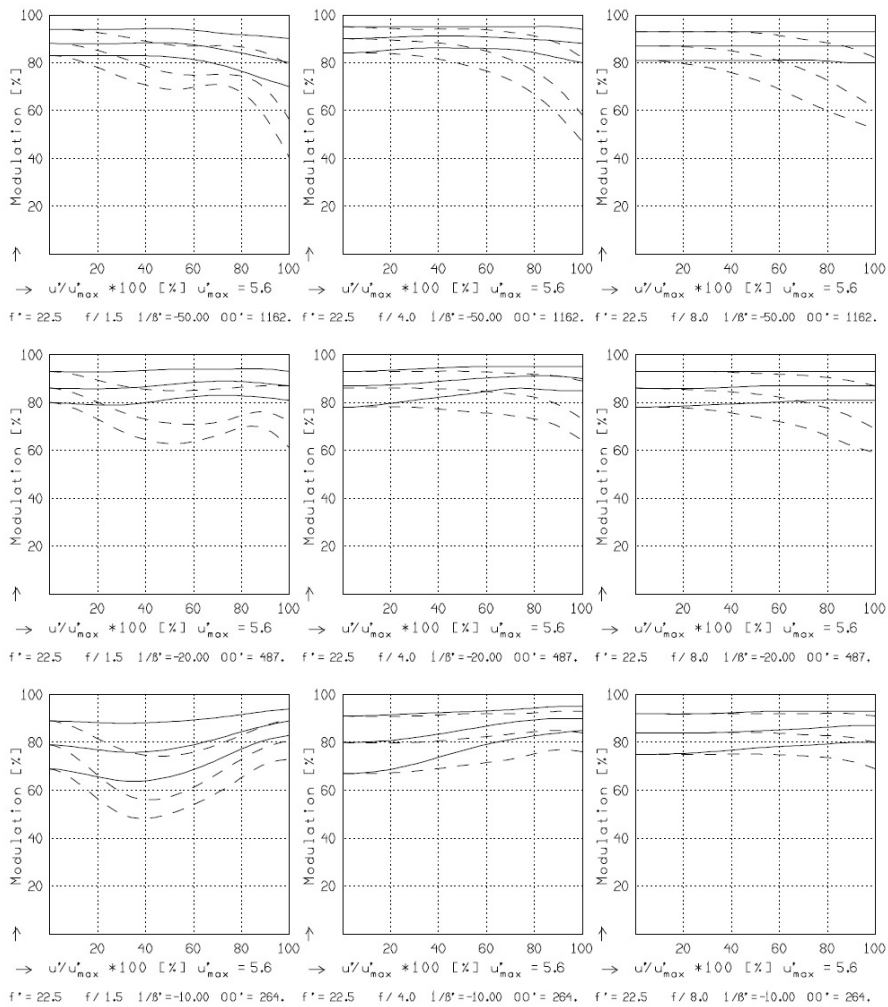
$f^*$ = 22,5 mm	$\beta_p^*$ = 2.271
$s_F$ = 10,2 mm	$s_{EP}$ = 20,1 mm
$s_{F^*}$ = 15,0 mm	$s_{A^*P}$ = -36,1 mm
$HH^*$ = -9,3 mm	$\Sigma d$ = 30,9 mm

### XENOPLAN 1.4/23MM

MODULATION with reference to the relative image height

Wavelength $\lambda$ [nm] :	555	655	605	505	455	405
Spectral weighting [%] :	19.6	23.7	22.2	15.7	12.1	6.7
Spatial frequency R [1/mm] :	10	20	30			
Format [mm X mm] :	6.6	X	8.8			
Diagonal $2u'$ [mm] :	11.0					

radial —  
tangential - -



Focusing :  $MTF_{max}$  at  $f / 1.4$  ,  $R = 30$  1/mm,  $u'/u'_{max} = 0$

